

Built-in unit 313 micro liner

Technical data sheet

- Compact and solid marking unit for flexible marking of bulky components
- Diversity of marking processes: needle, stylus or dot marking
- DataMatrix coding (ECC 200)
- Marking area 120 x 20 mm (X/Y)
- Robust ball bearing spindles and carriage with circular ball track in both axes
- Drive is provided by powerful stepping motors
- Control (marking controller): EK-Box with membrane keyboard and display, protection class IP 54



Application area

The compact 313 model can be integrated in production lines as well as in stand-alone cells. Standard delivery is with LDM MACRO software. As an option is the "VisuWin SE" as well as "VisuWin PRO" PC software available.

Options

- Counter bracket, depending on application
- Pneumatic infeed slide (50 mm, 80 mm or 100 mm range)
- Mechanical quick-change unit with fine adjustment (Z-position)
- Dust protection bellow at the bottom of the marking unit

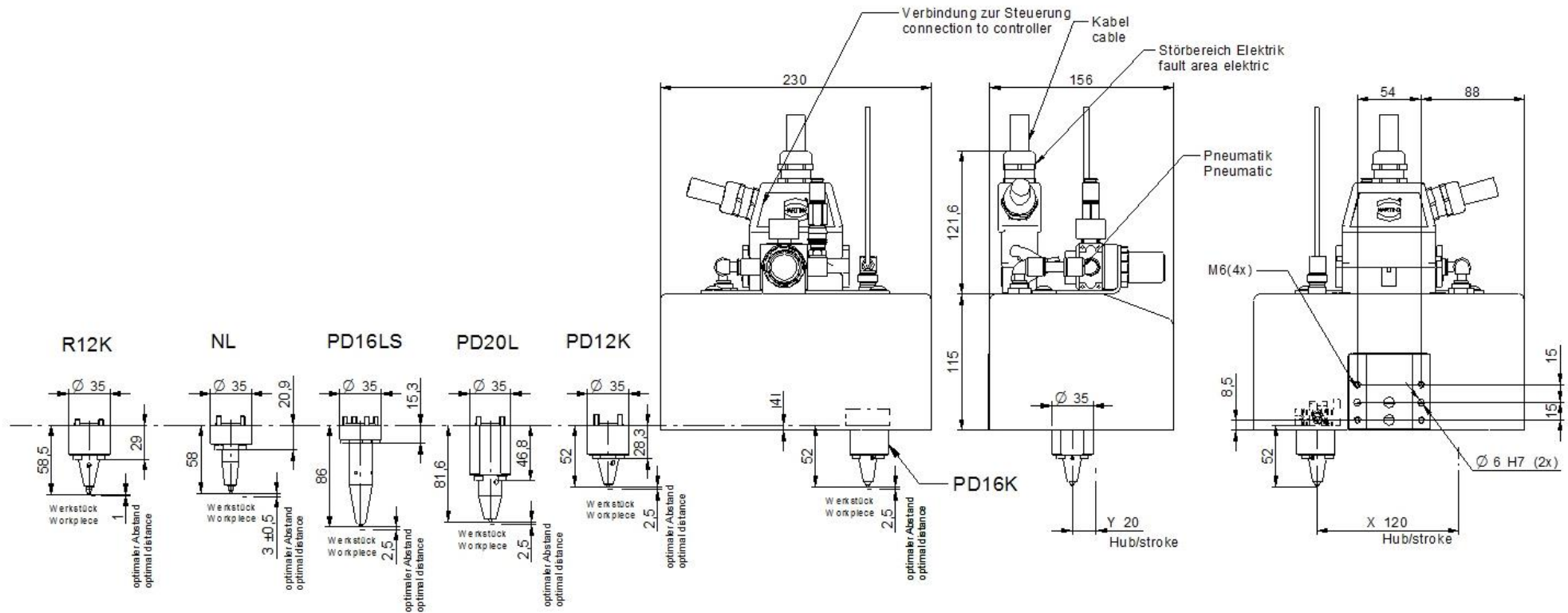
Technical Data

Property	Measure, Unit, Explanation	CO*	AO*
• Dimensions marking unit (W x D x H) without attaching parts	230 x 156 x 213 mm (depending on workpiece edition)		
• Marking area (X/Y)	120 x 20 mm		
• Weight (without steorage/ controller)	ca. 3.5 kg		
• Marking speed (depending on character height and shape, marking process and motorisation)	up to 6 characters/ second		
• Character height	from 1 mm (enhancing in 0,1 mm steps)		
• Documentation	German, English or French more languages	X	X
• Penetration depth marking tip (depending on marking head, marking process and material)	ca. 0.01 – 0.5 mm (see data sheet marking heads)		
• DotMatrix character shape	7:5 dots in height/width		
• Alternative character shape	9:7 or OCRA		X
• Standard character shape	A-Z, a-z, 0-9 .,-/ DataMatrix ECC 200		
• Special characters, logos	according to original		X
Media supply			
• Power supply with connecting cable	230 V AC ±10 %, 50/60 Hz or 115 V AC ±10 %, 50/60 Hz		
• Pneumatic connection (input pressure) technically conditioned compressed air	Min. 5 bar (min. 75 psi) dried, oil-free, filtered with 50 µm		

*) CO = construction option, will be defined by placing of order – no additional charge; AO = additional option, can be ordered additionally – additional charge

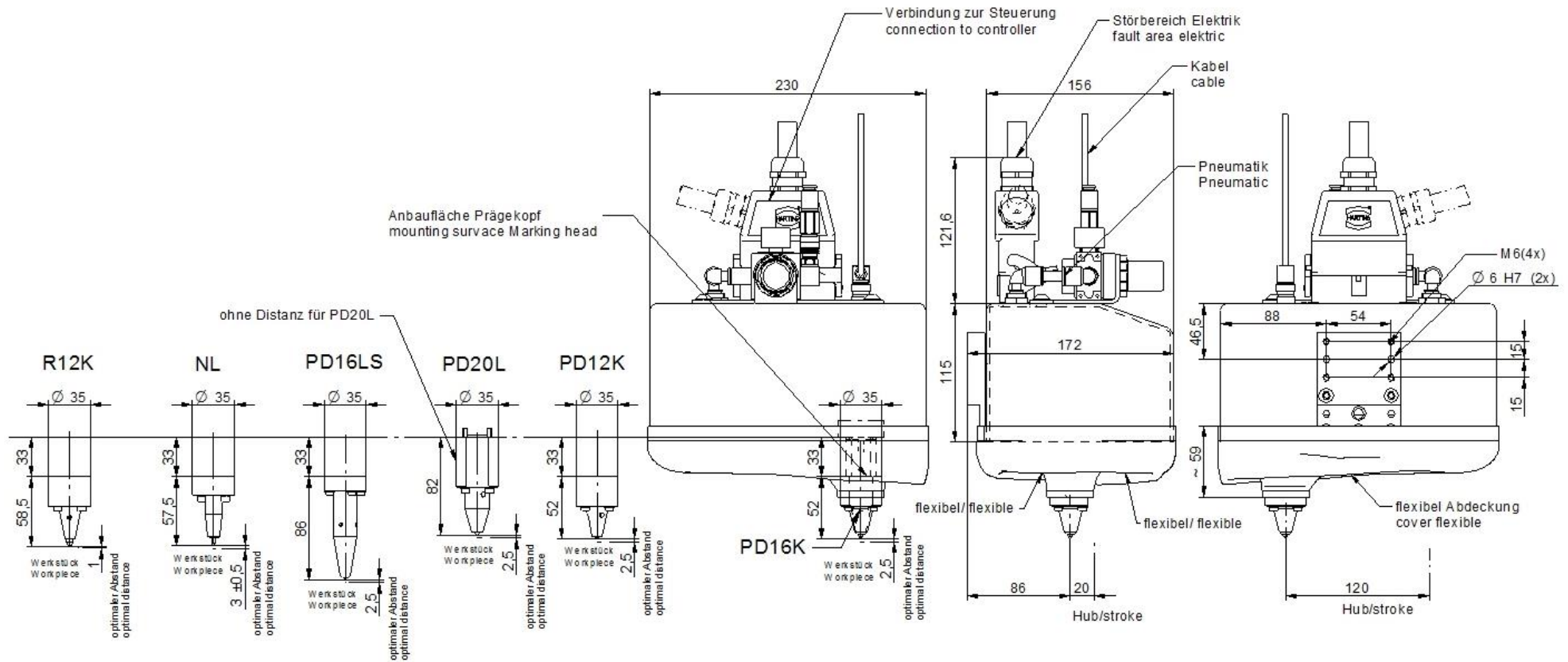
Technical details are subject to change.

313 without protective bellows



Dimensions in mm.
Technical details are subject to change.
November 2013

313 with protective bellows



Dimensions in mm.
Technical details are subject to change.
November 2013