

Compact-controller BC7 EG Box

Technical data sheet

- Universal 2/3-axis marking controller in compact housing
- Protection category IP54 - independently of control cabinet installation
- For marking machines and units of the series 312, 313, 315, 322, 325 and 326
- Scribe, stylus, DataMatrix, dot matrix marking heads can be used
- With integrated membrane keyboard and display with four lines on the front side
- MACRO program: a maximum capacity of 40 different marking pictures (layouts) are storable as well as fixed texts, date, time, shift and counters are available



Application area

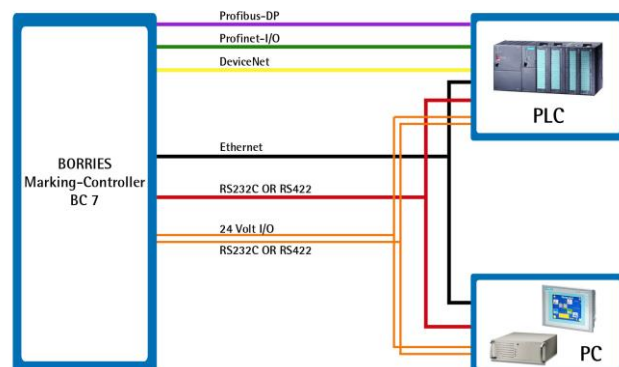
The marking controller can be used in marking stations with manual or automated workpiece handling. It is integrable in direct environment to the marking unit without further complexity and can be used for the marking units 312 and 313 with 3-axis as well as 315, 322, 325 and 326 with 2- and 3-axis.

The marking controller is equipped with a standard MACRO program and can be integrated into a higher-level station control. All parameter settings can be modified using the membrane keyboard (also marking text and positions) or the BORRIES MACRO loader program. With this program a test and setup operation is also possible including teach-in on marking positions.

It is possible to load the marking data from the outside into the controller (Barcode scanner for instance) as well as to start the marking workflow by a higher-level station control.

Option

- Different interfaces for data transfer possible



Technical Data

Property	Measure, Unit, Explanation	CO*	AO*
• Measurements	see drawing		
• Power supply (50 ... 60 Hz) standard	230 V ± 10 %, 50/60 Hz		
• Alternative (internally switchable)	115 V ± 10 %, 50/60 Hz	X	
• Power consumption	210 VA		
• Environmental temperature	max. 40 °C/ 104 F		
• Heat removal over housing	back cooling fins may not be blocked		
• Protection category	IP 54		
• EMC guidelines 89/336 EWG	yes, is fulfilled		
• Cable length marker to marking controller	3 m	X	
	5 m or 10 m		X
• 3. engine axis	Z feed for instance		X
• 1. serial interface	RS232/ RS422 switchable, USB	X	
• 2. serial interface	RS232/ RS422 switchable (data transfer, control)	X	
• Ethernet interface	Ethernet (alternative for 1. and 2. serial interface)	X	
• Bus-Interface (data and I/O)	Profibus DP (internal)		X
	Profinet I/O (internal)		X
• Real-Time-Clock backed	date, time, shift identification	X	
• Free digital I/O 24 V	12E+8A, opto-insulated, short-circuit proof		X
• Emergency switch off via two external normally closed contacts			
• LCD Display and alpha membrane keyboard	in the housing cover integrated		
• DataMatrix conversion in the controller	ECC 200 up to 52 x 52 or 16 x 48 dots		X
• Logo(s)	on request		X
• Standard MACRO program	see separate data sheet	X	
• Keyboard MACRO program	see separate data sheet	X	
• VisuWin SE	see separate data sheet	X	
• Customer specific MACRO program	on request according to specification		X

*) CO = construction option, will be defined by placing of order – no additional charge; AO = additional option, can be ordered additionally – additional charge

Technical details are subject to change.

EG-Box

